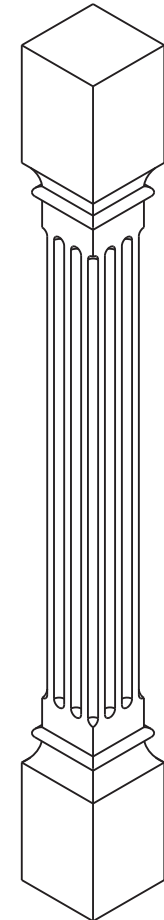
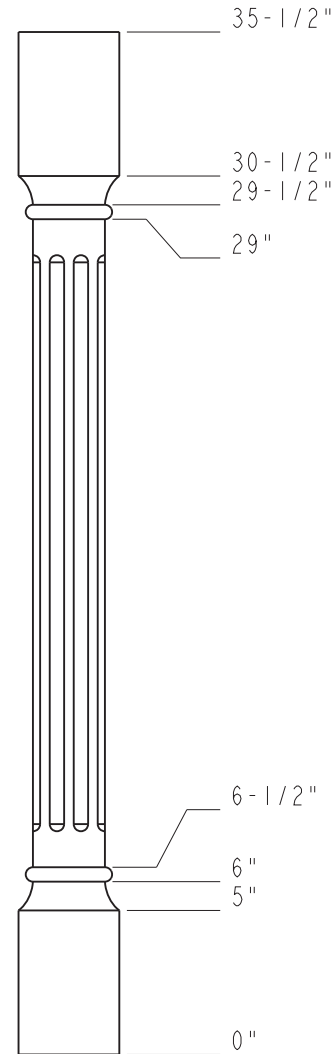
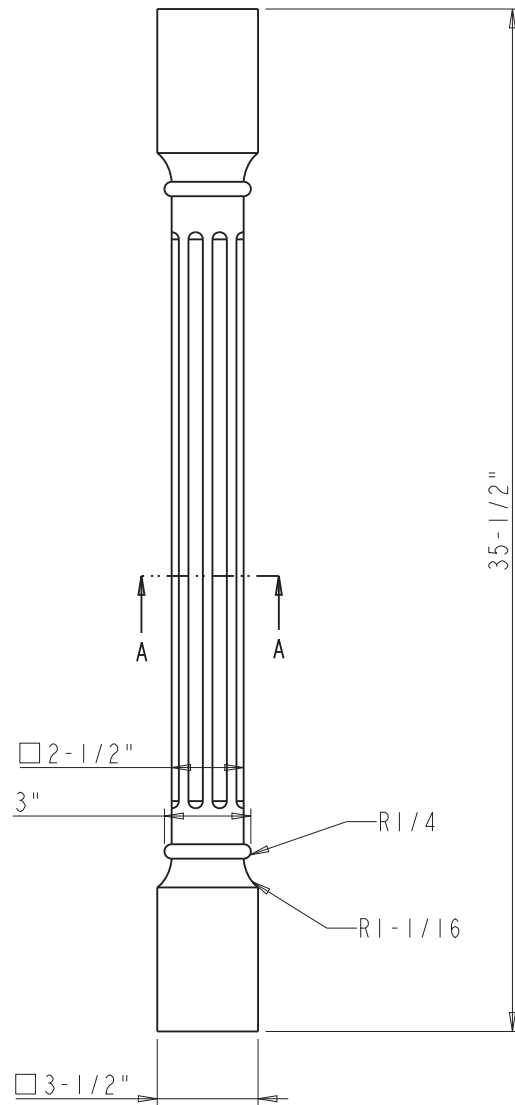


SECTION A-A
SCALE 2:1



	ITEM:	P27-3		MATERIAL:	PTC_MATERIAL_NAME
	WEIGHT:	0.000		PROJECTION	
PROPRIETARY AND CONFIDENTIAL THE INFORMATION CONTAINED IN THIS DRAWING IS THE SOLE PROPERTY OF HARDWARE RESOURCES INC. ANY REPRODUCTION IN PART OR AS A WHOLE WITHOUT THE WRITTEN PERMISSION OF HARDWARE RESOURCES INC. IS PROHIBITED.	TOLERANCE UNLESS OTHERWISE SPECIFIED: X ±0.20 XX ±0.10 XXX ±0.05 ANGULAR: ±0.5° DO NOT SCALE DRAWING	UNITS: SIZE: A4 SHEET: 1 OF 1	DRAWN BY: <i>Hugo Cal</i> APPROVED BY:	DATE: 08-26-15 DATE: REVISION:	